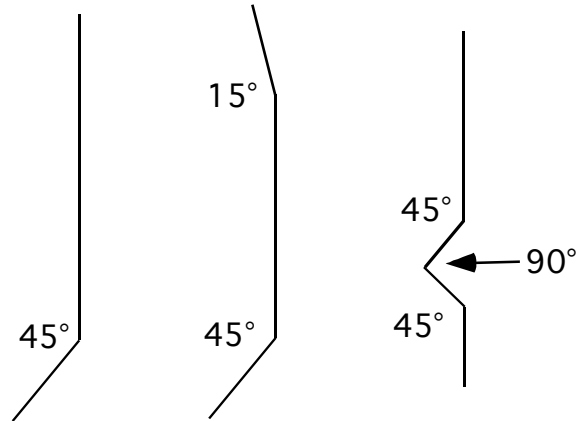




EME SYSTEMS, LLC
BERKELEY, CA

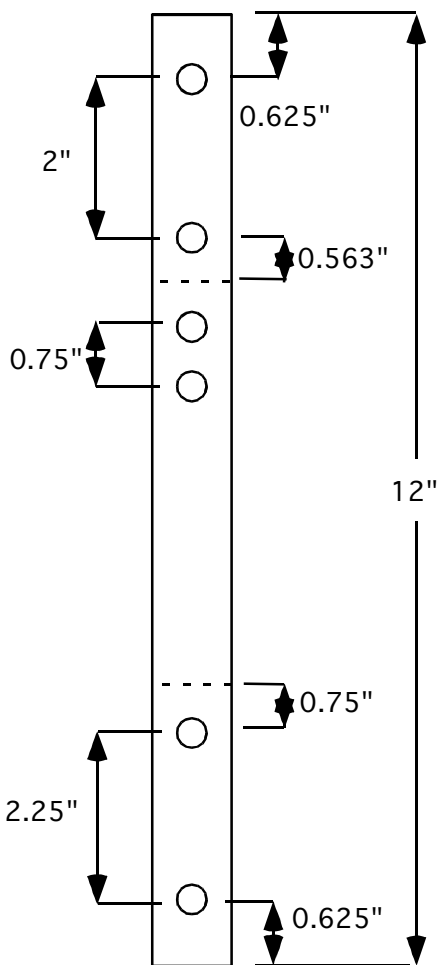
DIAGRAM AND DIMENSIONS
FOR BAT-HAT BRACKETS
REV.1 : 2013.09.04

STYLES: 1A, 1B, 3B

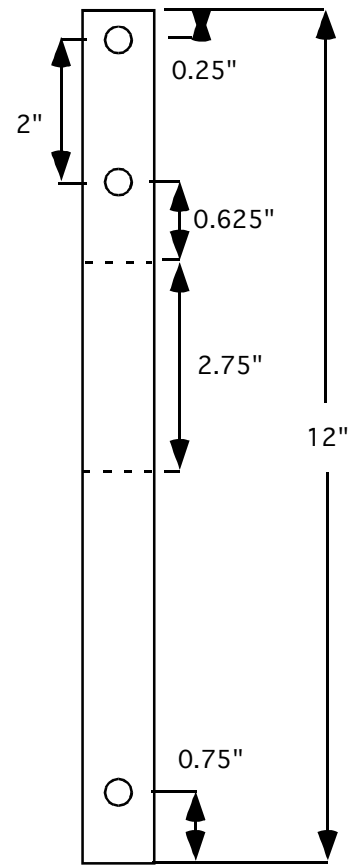
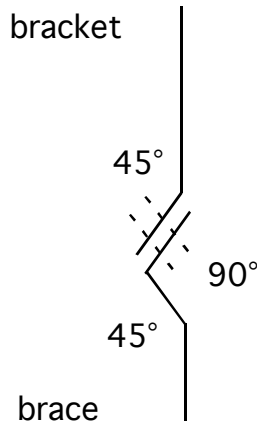


Bracket Type	1a	1b	3b
Weight (lbs.)	0.2 lbs		0.35 lbs

Aluminum-width 3/16"
weight: 0.2 lbs



Brace for
bracket type 3b
(Aluminum-width 1/8")
(weight 0.15 lbs)

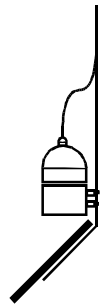




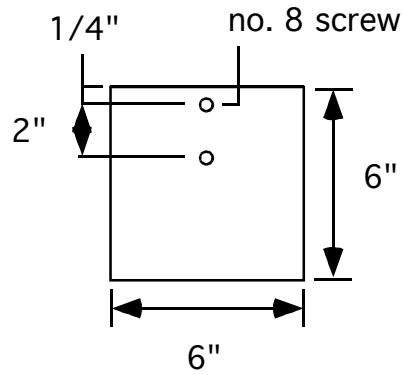
EME SYSTEMS, LLC
BERKELEY, CA

**DIAGRAM AND DIMENSIONS
FOR BAT-HAT CAP AND REFLECTOR
REV.1 : 2013.09.04**

Full Assembly (0.95 lbs)



Reflector (Polycarbonate)
(0.25 lbs)



Bat-Hat Coupler (PVC)

0.20 lbs

Bat-Hat Cap (PVC)

0.25 lbs

